



东莞市石碣君凌电子厂

Dongguan City Shijie Junling Electronic Factory

地址: 广东省东莞市石碣镇新城区崇焕西路108号三楼

TEL: 0769-86363687

FAX: 0769-86363687

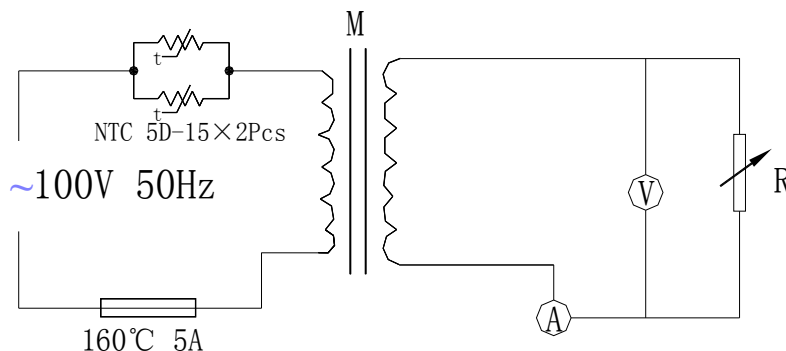
<http://www.dgjunling.com>

E-mail address: dgjunling@163.com

YD-068RT (350VA游戏机) Toroidal Transformer

The temperature test report

一、Test the circuit diagram:



Remark: Input D.C. Resistance Measure the hour and don't pass by NTC Thermistor, The output carry to did not link to protect the device and LED light.

二、The test record:

Item	Input D.C. Resistance (Ω)		Primary voltage (V)	Output Loading		Output D.C. Resistance (Ω)		The temperature rising (K)	
	Cold Resistance	Heat Resistance		Voltage (V)	Current (A)	Cold Resistance	Heat Resistance	Input	Output
	0.63	0.77	100V 50Hz	23.28	14.67	0.08	0.099	62.1	66.1
Test the tool	AC Power Source、Adjustable electric resistance、Digital Multimeter、Thermometer。								
Compute the method	$K = (R_2 - R_1 / R_1) \times (234.5 + t_1) + (t_2 - t_1)$								
Remarks	Test the ex- environment temperature is 23.2°C, After the test the environment temperature is 28.1°C. Resist the test of method.								
Conclusion	At rated load, After temperature keep stabilize: The Transformer Primary coil temperature is 62.1°C, The Transformer Secondary coil temperature is 66.1°C, The Ferrous hull Rise the temperature is 30.2°C, The transformer coil superficially heat degree is 53.3°C.								