



# 规格书

## SPECIFICATION FOR APPROVAL

CUSTOMER/客户:	
TYPE/类型:	TOROIDAL TRANSFORMER
PART NO./物料编号:	-----
CUSTOMER'S MATERIAL NO./客户型号:	
OUR MODEL NO./本厂编号:	JL-311RT
DESIGN/编制:	姚 林
APPROVAL/批准:	刘邵恒
AUTHORIZED SIGNATURE & COMPANY CHOP 客户认可回签(章)	

东莞市石碣君凌电子厂

Dongguan City Shijie Junling Electronic Factory

地址: 广东省东莞市石碣镇新城崇焕西路108号

TEL: 0769-86363687

FAX: 0769-86369558

E-mail address: dgjunling@163.com

http://www.dgjunling.com



ELECTRICAL PERFORMANCE/电气性能

**1. ENFORCE STANDARD/执行标准**

SAFETY STANDARD/安规标准: EN61558-1

**2. ELECTRICAL PERFORMANCE/电气参数**

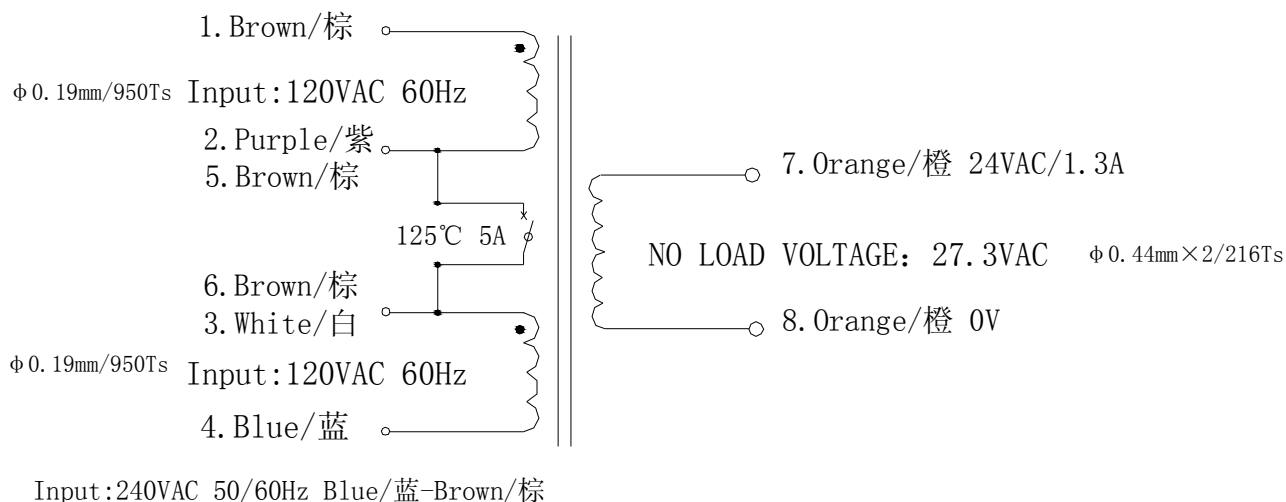
Primary rated voltage/初级额定输入: 0-120VAC 0-120VAC 60/50Hz

Exciting current/最大空载(励磁)电流: 25mA (输入: 120VAC/60Hz; 240VAC/50Hz)

Secondary rated voltage and current/次级额定输出:

	UNLOAD VOLTAGE 空载电压(VAC±5%)	LOADING VOLTAGE 负载电压(VAC±5%)	RATED CURRENT 额定负载电流(AAC)
S1:5~6	27.3VAC	24VAC	1.3A
S2:			
S3:			
S4:			

**3. CIRCUIT DIAGRAM/电路图**



**4. WORKING AND SAFETY PROTECTION/工作防护及安全保护**

- Electrostatic Shield/静电屏蔽
- Magnetic Shield/磁屏蔽
- Temperature Protection/温度保护
- Over Current Protection/过电流保护

**5. INSULATION/绝缘性能**

Insulation resistance test (type test)/绝缘电阻测试 (型式测试): Pri.~sec. 500V DC 100 MΩ MIN.

HI-POT TEST (100% test)/耐压测试 (100%测试): Pass our dielectric strength test, without any breakdown  
 Pri.~sec. AC 3.5kV for 60 seconds (leakage current 5mA MAX)

通过以下绝缘强度测试不产生绝缘崩溃  
 初级对次级 AC 3.5kV 60 秒 (最大漏电流 5mA);

**6. TEMPERATURE RISE/温升性能**

Ta=25°C Test by resistance method At rated load 2H WINDINGS' TEMPERATURE RISE °C MAX.  
 环境温度为 25°C 电阻法测试 额定负载 2 小时 绕组最大温升为 75°C.

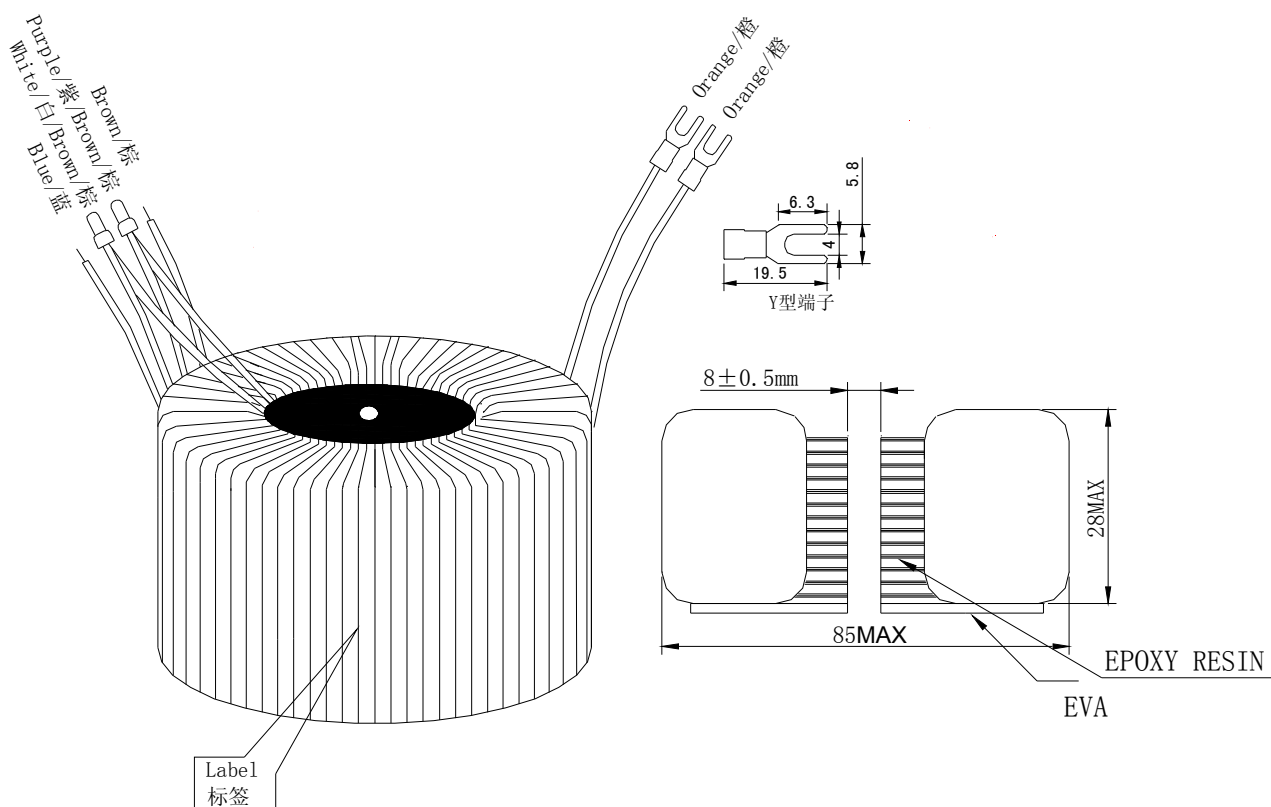
**7. MAJOR MEASUREMENT FACILITIES/主要测量设备:**

HI-POT TESTER (高压机): CJ2670	INSULATION-RESISTANCE METER(绝缘电阻表): ZC-7
VOL TMETER (电压表): T19-V	DC-RESISTANCE METER (直流电阻表): QJ44
AMPERMETER (安培表): T19/1-A	



EXTERNAL VIEW/外观

LEADS/引线	PRIMARY/初级	Temperature Protection 温度保护	SECONDARY/次级
LEAD NO./ 引线序号	1~2 3~4	5~6	7~8
COLOR/ 颜色	Brown/棕~Purple/紫 White/白~Blue/蓝	Brown/棕~ Brown/棕	Orange/橙~ Orange/橙
SPECS/ 规格	UL 1015 22AWG	UL3135 20AWG	UL 1015 20AWG
LENGTH/ 长度(±15mm)	80mm	100mm	280mm
TERMINAL/ 线端	Brown/棕 Blue/蓝 5mm 沾锡	分别与初级紫白 引线用 φ4 绝缘线 帽连接	1.25-4 Y 型端子

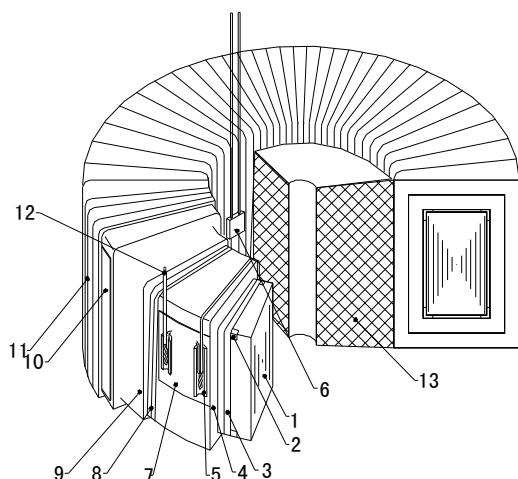


Note: The dimension is not including the leads emergence./ 以上外型尺寸不含出线处。  
 The dimension including the leads emergence./外型尺寸含出线处 Ht:28max,Od: 86max.

LABEL/标签	WEIGHT/重量(kg)	0.55 ± 0.1
ACCESSORIES/附件		
<div style="border: 1px solid black; padding: 5px;"> <p style="text-align: center;"><b>Toroidal Transformer</b></p> <p>MODEL: C30VA      03/2016</p> <p>PRI: 0-120-0-120V      50/60Hz</p> <p style="text-align: center;">BRN-PUR-BLU-WHI</p> <p>SEC: 0-24V/1.3A      ORG-ORG</p> </div>	1	METAL WASHER/环牛盖 黑
	2	RUBBER WASHER/橡胶垫
	3	SCREW/螺栓 白锌
	4	HEX NUT/螺母 白锌
	5	WASHER/平垫 白锌
	6	LOCK WASHER/弹垫 白锌
	7	RUBBER WASHER/橡胶垫
	8	METAL WASHER/方型盖(圆孔)



CONSTRUCTION & MATERIAL LIST/结构及材料明细



NO: 序号	DENOMINATION 名称	MATERIAL 材料	型号/规格	SUPPLIERS 供应商	认 证	CERTIFICAT E NUMBER 认证号
1	Annular core 环形铁芯	Cold rolling directional silicon steel 取向硅钢带	Z11 0.23mm-0.35mm	NIPPON STEEL CO. or equivalent	—	----
2	Insulation protection 绝缘保护	Mylar 麦拉胶带	PZ 10mm×3 Layers	JINJIANG YAHUA PRESSURE SENSITIVE GLUE CO LTD or equivalent	UL	E165111
3	Core Insulation 铁芯绝缘	Polyester 5C 聚脂薄膜 5C	Mylar EL 10mm×4 Layers	DUPONT TEIJIN FILMS U S LP or equivalent	UL	E93687
4	Pri.Winding 初级绕组	Enamelled copper wire 漆包圆铜线	PEW or QZL-130 °C φ 0.19mm	TAI-I ELECTRIC WIRE & CABLE CO LTD NINBO JINTIAN NEW MATERIAL CO LTD or equivalent	UL	E85640(S) E227047
5	Terminal cannula 接头护套	FIBER SET TUBE 纤维套管	Φ 2mm Φ 3mm	QIFURUI ELECTRONICS CO.DUARTE,CA or equivalent	UL	E255609
6	Temperature Protection 温度保护	Thermal Switch 温度开关	KWB-125°C	WUJIN CHANGDA ELECTRIC APPLIANCE FACTORY or equivalent	UL	E207935
7	Termial uderlay 接头垫护	Polyester 20C 聚脂薄膜 20C	Mylar EL 17mm×2 Layers	DUPONT TEIJIN FILMS U S LP or equivalent	UL	E93687
8	Pri.Insulation 初级绝缘	Polyester 7.5C 聚脂薄膜 7.5C	Mylar EL 10mm×4 Layers	DUPONT TEIJIN FILMS U S LP or equivalent	UL	E93687
9	Sec.Winding 次级绕组	Enamelled copper wire 漆包圆铜线	PEW or QZL-130 °C φ 0.44mm	TAI-I ELECTRIC WIRE & CABLE CO LTD NINBO JINTIAN NEW MATERIAL CO LTD or equivalent	UL	E85640(S) E227047
10	Insulation protection 保护胶	Mylar 麦拉胶带	PZ 20mm×1 Layers	JINJIANG YAHUA PRESSURE SENSITIVE GLUE CO LTD or equivalent	UL	E165111
11	Coating insulation 外包绝缘	Polyester 5C 聚脂薄膜 5C	Mylar EL 10mm×2 Layers	DUPONT TEIJIN FILMS U S LP or equivalent	UL	E93687
12	Lead 引线	UL WIRE 认证电子线	1015#22AWG 1015#20AWG	SHENZHEN DONG JU WIRE &CABLE CO LTD. QIFURUI ELECTRONICS CO. or equivalent UL recognized wire	UL	E189674 E211048
13	Potted resin 环氧	Potted resin 环氧树脂	3300A/B	DONGGUAN EATTO ELECETRONIC MATERIAL CO.,LTD. or equivalent	UL	E218090