



# 承认书

## SPECIFICATION FOR APPROVAL

CUSTOMER/客户:	
TYPE/类型:	TOROIDAL TRANSFORMER
PART NO./物料编号:	-----
CUSTOMER'S MATERIAL NO./客户型号:	10000W
OUR MODEL NO./本厂编号:	JL-539RT
DESIGN/编制:	姚林
APPROVAL/批准:	刘邵恒
AUTHORIZED SIGNATURE & COMPANY CHOP 客户认可回签(章)	

东莞市石碣君凌电子厂

Dongguan City Shijie Junling Electronic Factory

地址: 广东省东莞市石碣镇新城崇焕西路108号

TEL: 0769-86363687

FAX: 0769-86369558

E-mail address: dgjunling@163.com

<http://www.dgjunling.com>

**1. ENFORCE STANDARD/执行标准**

SAFETY STANDARD/安规标准: EN61558-1

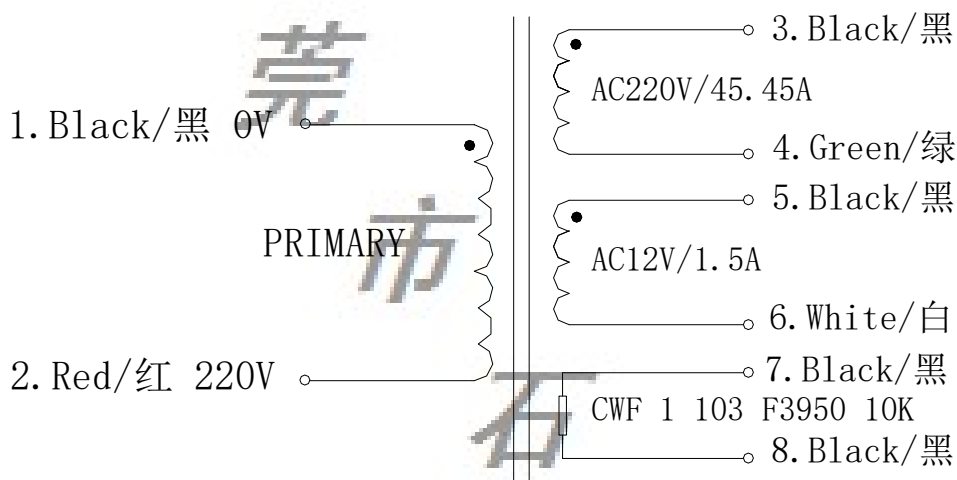
**2. ELECTRICAL PERFORMANCE/电气参数**

Primary rated voltage/初级额定输入: 220VAC 50Hz

Exciting current/最大空载(励磁)电流: 300mA (264V/50Hz)

Secondary rated voltage and current/次级额定输出:

	UNLOAD VOLTAGE 空载电压(VAC±2.5%)	LOADING VOLTAGE 负载电压(VAC±5%)	RATED CURRENT 额定负载电流(AAC)
S1:3-4	0~220V	0~215V	45.45A
S2:5-6	0~12V	0~11.6V	1.5A

**3. CIRCUIT DIAGRAM/电路图****4. WORKING AND SAFETY PROTECTION/工作防护及安全保护**

- Electrostatic Shield/静电屏蔽       Magnetic Shield/磁屏蔽
- Temperature Protection/温度保护       Over Current Protection/过电流保护

**5. INSULATION/绝缘性能**

Insulation resistance test (type test)/绝缘电阻测试 (型式测试): Pri.~sec. 500V DC 100 MΩ MIN.

HI-POT TEST (100% test)/耐压测试 (100%测试): Pass our dielectric strength test, without any breakdown

Pri.~sec. AC 3.5kV for 60 seconds (leakage current 5mA MAX)

通过以下绝缘强度测试不产生绝缘崩溃

初级对次级 AC 3.5kV 60 秒 (最大漏电流 5mA);

脉冲电压测试: 次级开路, 初级端输入 3000V 脉冲, 线包匝间无短路现象。

**6. TEMPERATURE RISE/温升性能**

Ta=25°C Test by resistance method At rated load 4H WINDINGS' TEMPERATURE RISE 95°C MAX.

环境温度为 25°C 电阻法测试 额定负载 4 小时 绕组最大温升为 95°C. (风冷条件下)

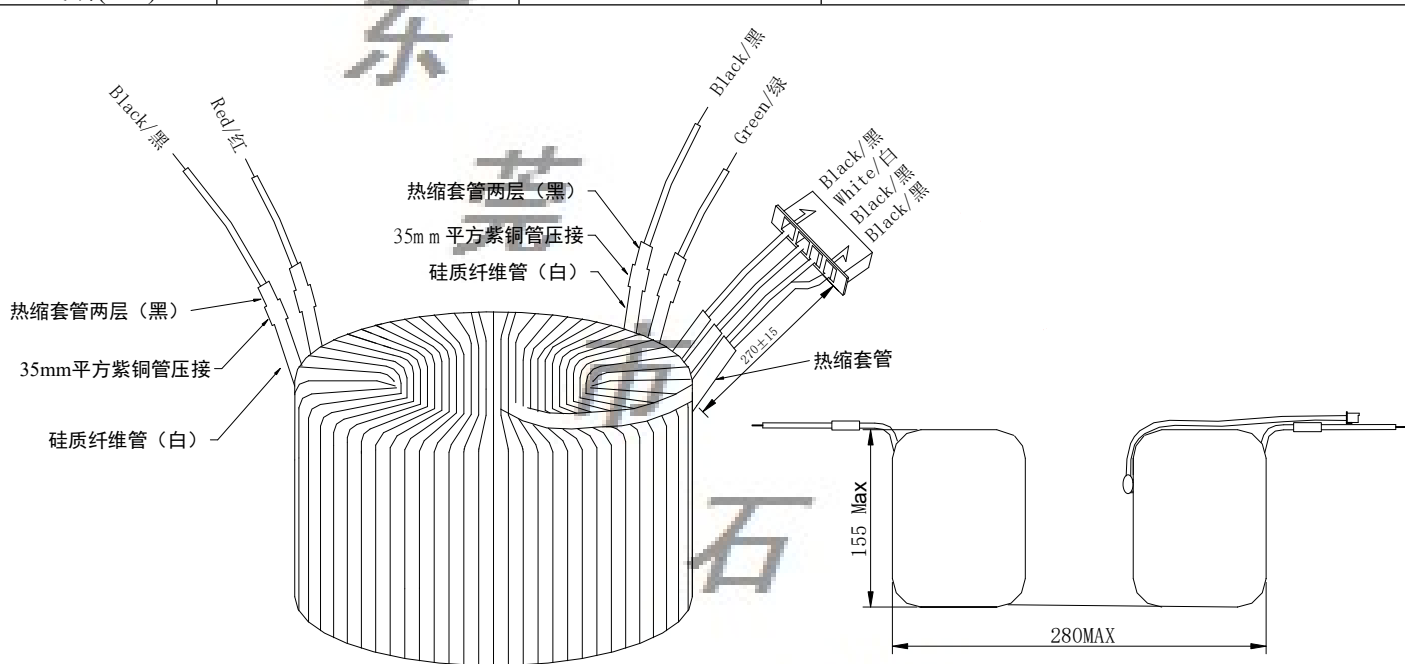
**7. MAJOR MEASUREMENT FACILITIES/主要测量设备:**

HI-POT TESTER (高压机): CJ2670	INSULATION-RESISTANCE METER(绝缘电阻表): ZC-7
VOL TMETER (电压表): T19-V	DC-RESISTANCE METER (直流电阻表): QJ44
AMPEREMETER (安培表): T19/1-A	



EXTERNAL VIEW/外观

LEADS/引线	PRIMARY/初级		SECONDARY/次级			
LEAD NO./ 引线序号	1	2	3	4	5~6	7~8
COLOR/ 颜色	Black/黑	Red/红	Black/黑	Green/绿	Black/黑~ White/白	Black/黑~ Black/黑
SPECS/ 规格	原铜线引出 100mm 压接 BVR 10mm <sup>2</sup>		原铜线引出 100mm 压接 BVR 10mm <sup>2</sup>		UL 3266 20AWG	UL 2651 22AWG
LENGTH/ 长度(±15mm)	400mm	300mm	530mm	430mm	270mm	270mm
TERMINAL/ 线端(±2)	剥皮 10mm 不上锡		剥皮 10mm 不上锡		4P/XH2.54	



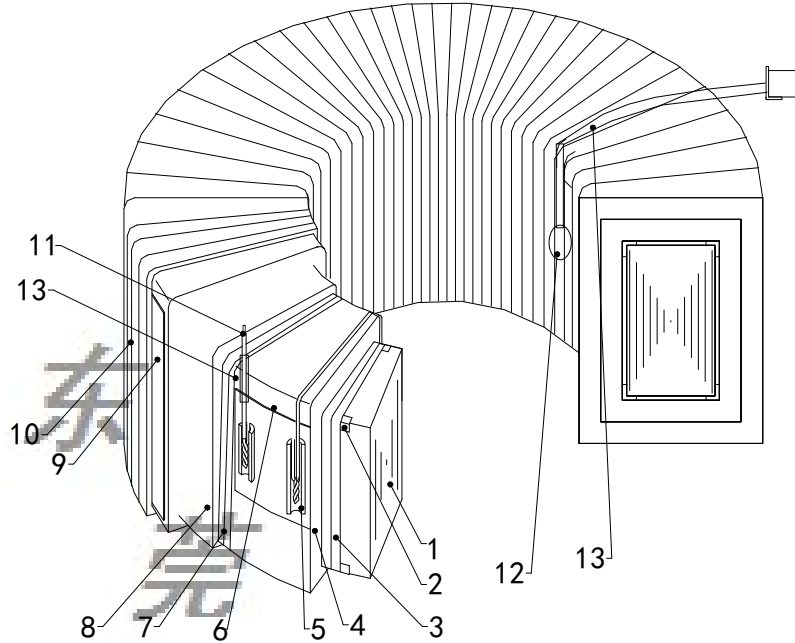
注：初次级出线角度为180°±10°出线

Note: The dimension is not including the leads emergence./ 以上外型尺寸不含出线处。  
The dimension including the leads emergence./外型尺寸含出线处 Ht:155max,Od:280max.

LABEL/标签	WEIGHT/重量(不含附件)	44Kg±0.5	
	ACCESSORIES/附件		
	1	橡胶垫 (黑色)	
	2	电木片 (黄色)	
	3	电木片 (黄色)	
	4	SCREW/螺栓 (白锌)	
	5	HEX NUT/螺母 (白锌)	
	6	WASHER/平垫	
	7		
8			



CONSTRUCTION & MATERIAL LIST/结构及材料明细



NO: 序号	DENOMINATION 名称	MATERIAL 材料	型号/规格	SUPPLIERS 供应商	认证	CERTIFICATE NUMBER 认证号
1	Annular core 环形铁芯	Cold rolling directional silicon steel 二次取向硅钢带	Z11 0.23mm-0.35mm	NIPPON STEEL CO. or equivalent	—	-----
2	Insulation protection 绝缘保护	Non-woven fabric adhesive tape 无纺布胶带	WF2901 12mm 外径边缘 各两圈	JINJIANG YAHUA PRESSURE SENSITIVE GLUE CO LTD or equivalent	UL	E165111
3	Core Insulation 铁芯绝缘	Polyester 12.5C 聚脂薄膜 12.5C	Mylar EL 15mm× 0.125mm 两次 1/2 绝缘	DUPONT TEIJIN FILMS U S LP or equivalent	UL	E93687
4	Pri.Winding 初级绕组	Enamelled copper wire 漆包圆铜线	EIW/180 or QZY-2/180°C	NINGBO JINTIAN NEW MATERIAL CO LTD or equivalent	UL	E227047
5	Terminal cannula 接头护套	FIBER SET TUBE 纤维套管	Φ 2mm Φ 3mm Φ 8mm	QIFURUI ELECTRONICS CO or equivalent	UL	E255609
6	Terminal underlay 接头垫护	Polyester 20C 聚脂薄膜 20C	Mylar EL 35mm ×0.2m 三层	DUPONT TEIJIN FILMS U S LP or equivalent	UL	E93687
7	Pri. Insulation 初级绝缘	Polyester 12.5C 聚脂薄膜 12.5C	Mylar EL 15mm× 0.125mm 三次 1/2 绝缘	DUPONT TEIJIN FILMS U S LP or equivalent	UL	E93687
8	Sec.Winding 次级绕组	Enamelled copper wire 漆包圆铜线	EIW/180 or QZY-2/180°C	NINGBO JINTIAN NEW MATERIAL CO LTD or equivalent	UL	E227047
9	Insulation protection 保护胶	Mylar 麦拉胶带	CT286 110mm 宽白色外缠两圈	JINJIANG YAHUA PRESSURE SENSITIVE GLUE CO LTD or equivalent	UL	E165111
10	Coating insulation 外包绝缘	Polyester 12.5C 聚脂薄膜 12.5C	Mylar EL 15mm× 0.125mm 两次 1/3 绝缘	DUPONT TEIJIN FILMS U S LP or equivalent	UL	E93687
11	Lead 引线	UL CCC WIRE 认证电子线	BVR UL3266 UL2651	珠江电缆 QIFURUI ELECTRONICS CO or equivalent UL recognized wire	UL	E189674 E251720 E211048
12	NTC 热敏电阻	CWF1 103 F3950 10K	CWF1 103 F3950 10K	南方时恒电子科技有限公司或同等的		
13	NTC 引线保护	HEAT SHRINKABLE TUBES 热缩套管	φ 3mm φ 15mm 300V 125°C	QIFURUI ELECTRONICS CO or equivalent		E225897